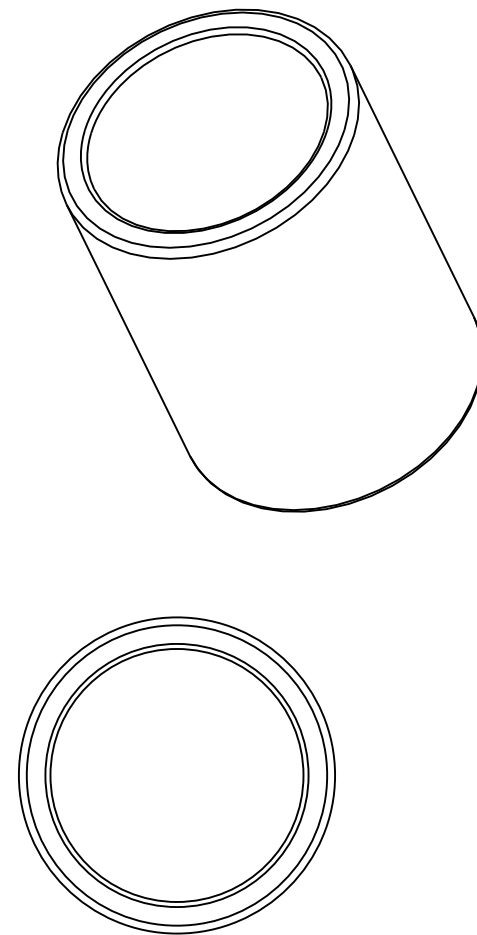


SECTION A-A



All dimensions in inches

NOTE1: Impregnated with 100 Grade R&O turbine oil unless otherwise specified

NOTE2: Typical PM Chamfers All Corners

MATERIAL:

CT-1000-K26 (SAE 841)
Sintered Bronze

DRAWING NOT TO SCALE

SYMMCO INC.

Bronze Sleeve Bearing

SS-2430-20

3/4 ID 15/16 OD 1-1/4 LEN