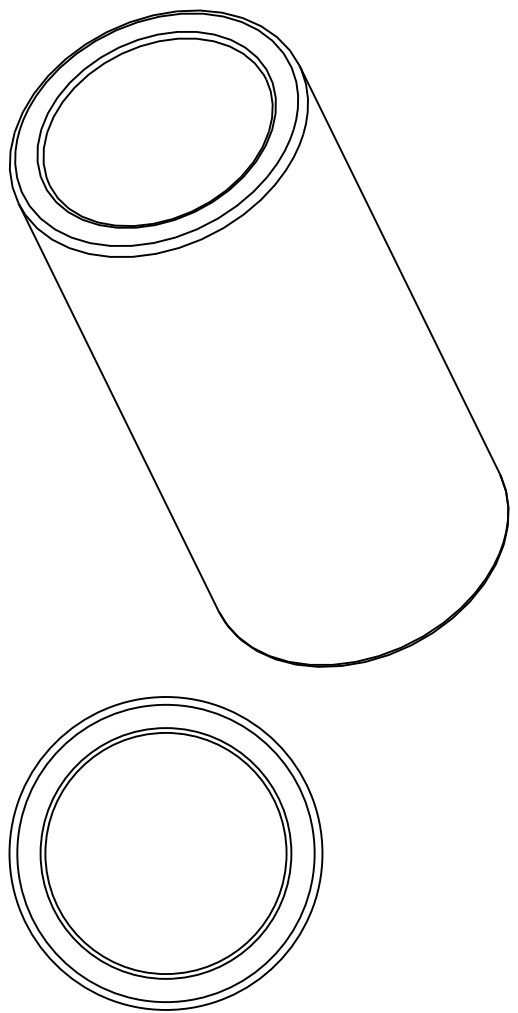


SECTION A-A



All dimensions in inches

NOTE1: Impregnated with 100 Grade R&O turbine oil unless otherwise specified

NOTE2: Typical PM Chamfers All Corners

MATERIAL:  
 CT-1000-K26 (SAE 841)  
 Sintered Bronze

DRAWING NOT TO SCALE

**SYMMCO INC.**  
 Bronze Sleeve Bearing  
**SS-2026-28**  
 5/8 ID 13/16 OD 1-3/4 LEN