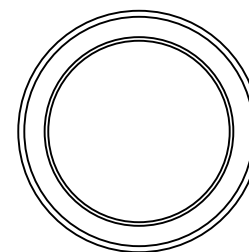
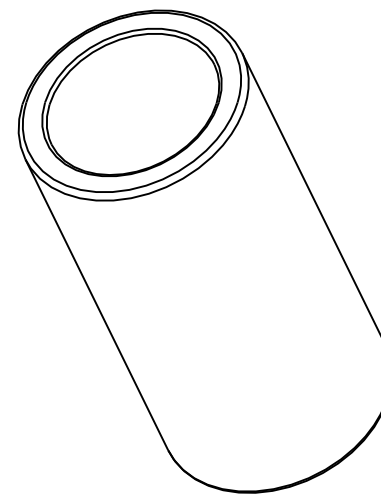


SECTION A-A



All dimensions in inches

NOTE1: Impregnated with 100 Grade R&O turbine oil unless otherwise specified

NOTE2: Typical PM Chamfers All Corners

MATERIAL:

CT-1000-K26 (SAE 841)  
Sintered Bronze

DRAWING NOT TO SCALE

**SYMMCO INC.**

Bronze Sleeve Bearing

**SS-1216-16**

3/8 ID 1/2 OD 1 LEN