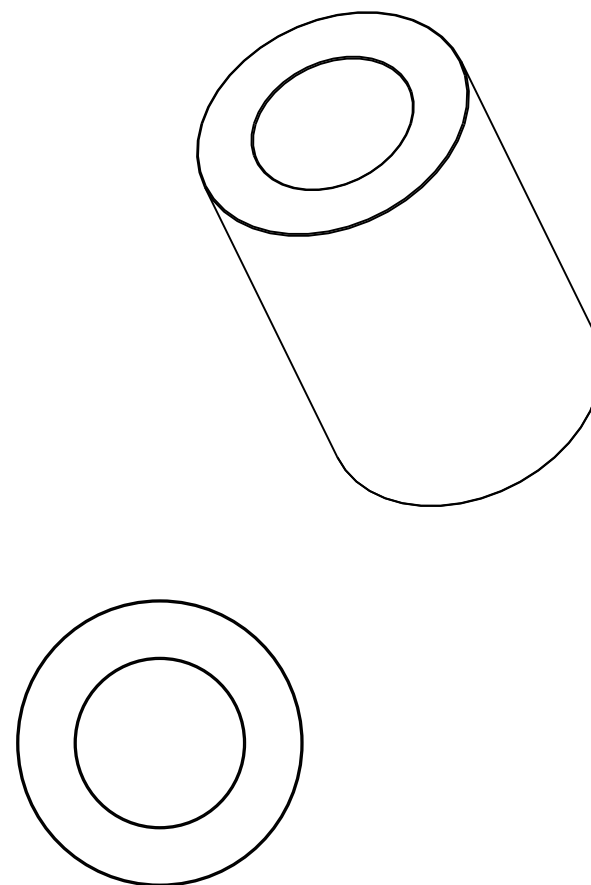


SECTION A-A



All dimensions in inches

NOTE 1: Impregnated with 100 Grade R&O turbine oil unless otherwise specified

NOTE 2: Bars will finish to dimensions shown

MATERIAL:

CT-1000-K26 (SAE 841)
Sintered Bronze

DRAWING NOT TO SCALE

SYMMCO INC.

Bronze Cored Bar Stock

SCS-2034-6

2-1/2 ID X 4-1/4 OD X 6-1/2 LEN